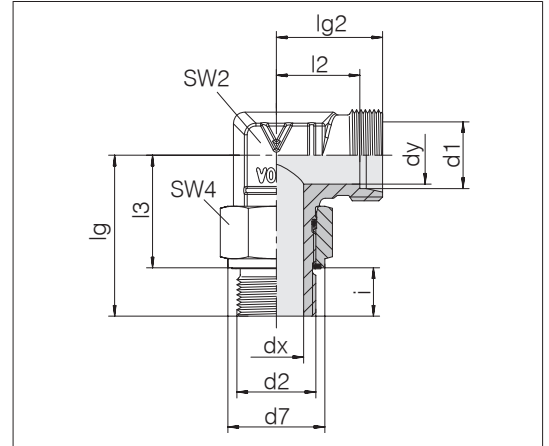


Adjustable locknut elbows

Male thread: BSPP thread, cylindrical
 Threaded stud: ISO 1179-2 Form E
 Sealing type: Profile sealing ring PEFLEX
 Sealing material: Standard NBR

Tube coupling: 24° in acc. with ISO 8434-1



Series	d2	Pressure	d7	dx	dy	lg	lg2	l2	l3	SW2	SW4	i	Nm	kg/100	Order-No.	Designation		
Tube OD													-10 %	ca.				
d1																		
L	6	G 1/8 A	PN 315	13.9	4	4	29	21	14	21	14	8	20	4.1	1144002081	24-SDAE-L6-G1/8E	1)	
L	6	G 1/4 A	PN 315	18.9	7	4	38	23	16	26	17	19	12	50	7.8	1144012081	24-SDAE-L6-G1/4E	
L	8	G 1/4 A	PN 315	18.9	7	6	38	23	16	26	17	19	12	50	7.9	1144052081	24-SDAE-L8-G1/4E	1)
L	8	G 3/8 A	PN 315	21.9	9	6	41	25	18	29	19	22	12	80	11.0	1144062081	24-SDAE-L8-G3/8E	
L	10	G 1/4 A	PN 315	18.9	7	8	38	24	17	26	17	19	12	50	7.9	1144102081	24-SDAE-L10-G1/4E	1)
L	12	G 1/4 A	PN 315	18.9	7	10	48	24	17	26	17	19	12	50	7.6	1144162081	24-SDAE-L12-G1/4E	
L	12	G 3/8 A	PN 315	21.9	10	10	41	26	19	29	19	22	12	80	11.2	1144152081	24-SDAE-L12-G3/8E	1)
L	12	G 1/2 A	PN 250	26.9	12.5	10	44	28	21	30	22	27	14	105	15.4	1144172081	24-SDAE-L12-G1/2E	
L	15	G 1/2 A	PN 250	26.9	12.5	12	44	28	21	30	22	27	14	105	15.3	1144202081	24-SDAE-L15-G1/2E	1)
L	18	G 1/2 A	PN 250	26.9	12.5	15	51	33	25.5	37	27	27	14	105	25.9	1144252081	24-SDAE-L18-G1/2E	1)
L	18	G 3/4 A	PN 160	32.9	15.5	15	55	33	25.5	39	27	36	16	190	32.6	1144262081	24-SDAE-L18-G3/4E	
L	22	G 1/2 A	PN 160	26.9	12.5	19	51	35	27.5	37	27	27	14	105	24.5	1144312081	24-SDAE-L22-G1/2E	
L	22	G 3/4 A	PN 160	35.9	15.5	19	55	35	27.5	39	27	36	16	190	33.6	1144302081	24-SDAE-L22-G3/4E	1)
L	28	G 3/4 A	PN 160	35.9	15.5	24	60.5	38	30.5	44.5	36	36	16	190	43.7	1144362081	24-SDAE-L28-G3/4E	
L	28	G 1 A	PN 160	40.9	21.5	24	68.5	40	32.5	50.5	41	41	18	250	70.5	1144352081	24-SDAE-L28-G1E	1)
L	35	G 1 1/4 A	PN 160	49.9	27.5	30	76	46.5	36	56	50	50	20	400	111.5	1144402081	24-SDAE-L35-G11/4E	1)
L	42	G 1 1/2 A	PN 160	54.9	33	36	79.5	51	40	57.5	50	55	22	500	115.4	1144452081	24-SDAE-L42-G11/2E	1)
S	6	G 1/4 A	PN 315	18.9	6	4	38	25	18	26	17	19	12	50	8.7	1144502081	24-SDAE-S6-G1/4E	1)
S	8	G 1/4 A	PN 315	18.9	7	5	38	25	18	26	17	19	12	50	8.5	1144552081	24-SDAE-S8-G1/4E	1)
S	10	G 3/8 A	PN 315	21.9	10	7	41	27	19.5	29	19	22	12	80	12.1	1144602081	24-SDAE-S10-G3/8E	1)
S	12	G 3/8 A	PN 315	21.9	10	8	41	29	21.5	29	19	22	12	80	12.1	1144652081	24-SDAE-S12-G3/8E	1)
S	14	G 1/2 A	PN 315	26.9	10	10	44	30	22	30	24	27	14	110	19.3	1144702081	24-SDAE-S14-G1/2E	1)
S	16	G 1/2 A	PN 315	26.9	10	12	51	35	26.5	37	27	27	14	110	27.3	1144752081	24-SDAE-S16-G1/2E	1)
S	16	G 3/4 A	PN 250	35.9	15.5	12	55	35	26.5	39	27	36	16	220	35.3	1144762081	24-SDAE-S16-G3/4E	
S	20	G 3/4 A	PN 250	35.9	15.5	16	55	38	27.5	39	27	36	16	220	36.2	1144802081	24-SDAE-S20-G3/4E	1)
S	25	G 3/4 A	PN 250	35.9	15.5	20	60.5	42	30	44.5	36	36	16	220	46.5	1144862081	24-SDAE-S25-G3/4E	
S	25	G 1 A	PN 250	40.9	21.5	20	68.5	44	32	50.5	41	41	18	280	75.0	1144852081	24-SDAE-S25-G1E	1)
S	30	G 1 1/4 A	PN 160	49.9	27.5	25	76	50	36.5	56	50	50	20	400	118.7	1144902081	24-SDAE-S30-G11/4E	1)
S	38	G 1 1/2 A	PN 160	54.9	33	32	79.5	57	41	57.5	50	55	22	500	129.5	1144952081	24-SDAE-S38-G11/2E	1)

1) Standard size